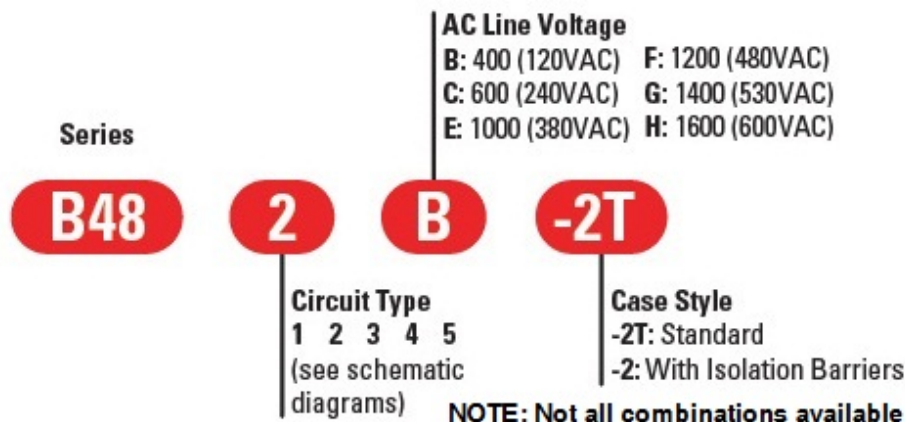


## B48-2T, B48-2 Series



- Single and Three Phase Circuits
- 5 Different Circuits to Choose from
- Up to 1600 Volt Blocking Standard
- UL Recognized E72445

### AVAILABLE OPTIONS



### ELECTRICAL SPECIFICATIONS

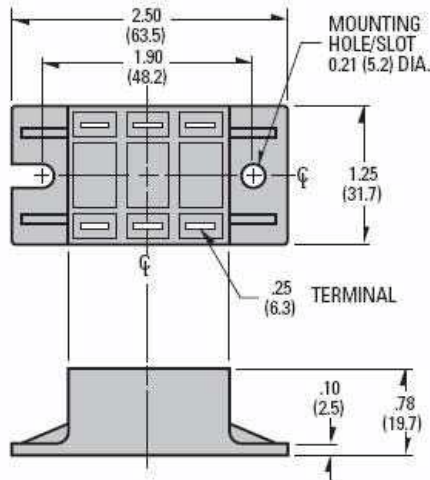
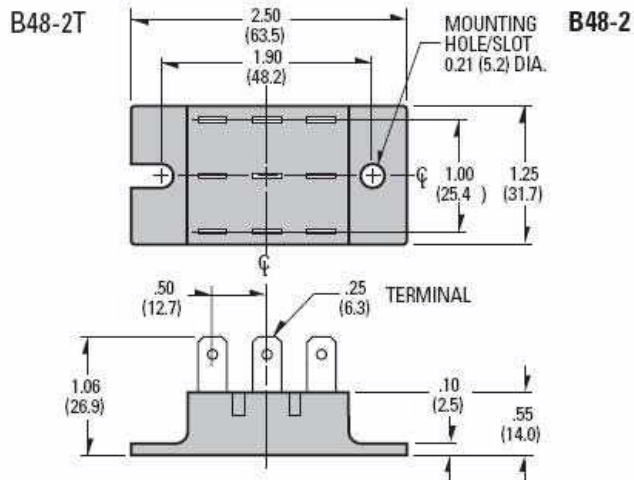
Description	Symbol	Single Phase	Three Phase
Maximum DC Output Current (Tc = 85°C)	I <sub>D</sub>	35 A	50 A
Maximum Voltage Drop @ Amps Peak	V <sub>F</sub>	1.25V @ 35A	1.35V @ 50 A
Operating Junction Temperature Range	T <sub>J</sub>	-40 - 125°C	-40 - 125°C
Repetitive Peak Reverse Voltage (AC Line Nominal) [Vpk]	V <sub>R</sub> RM	400 (120 VAC)	
		600 (240 VAC)	
		800 (280 VAC)	
		1200 (480 VAC)	
		1400 (530 VAC)	
		1600 (600 VAC)	
Maximum Non-Repetitive Surge Current (1/2 Cycle, 60 Hz) [A]	I <sub>TSM</sub>	600	600
Maximum I <sup>2</sup> T for Fusing (t=8.3ms) [A <sup>2</sup> sec]	I <sup>2</sup> T	1500	1500
Maximum Thermal Resistance, Junction to Ceramic Base per Chip [°C/W]	R <sub>JC</sub>	0.9°C/W	0.9°C/W
Isolation Voltage [Vrms]	V <sub>ISOL</sub>		2500

### GENERAL SPECIFICATIONS

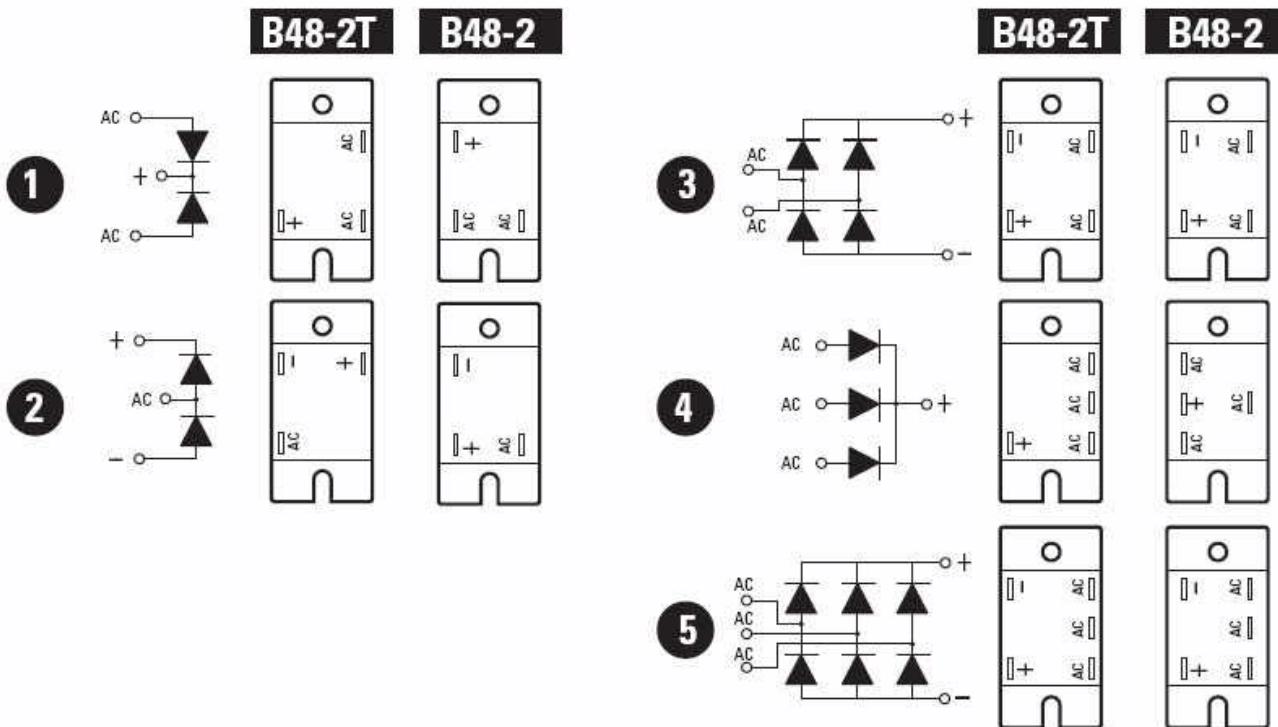
Description	
Weight (typical)	1.5 oz (42.5g)

## MECHANICAL SPECIFICATIONS

All dimensions are in inches (millimeters)



## CIRCUIT DIAGRAMS



## AGENCY APPROVALS

